

Australia



**NORWELD**

UTE TRAYS AND CANOPIES



**DELUXE AND  
DELUXE PLUS TRAYS**





# YOUR JOURNEY STARTS HERE

Elevate your 4WD with a high-quality aluminium ute tray from Norweld. Built tough to last a lifetime, our trays are designed to suit your every need, whether you're a hardworking farmer, tradie or off-road adventurer.



EXPERIENCE THE NORWELD DIFFERENCE	2
INCLUDED FEATURES	4
DUAL CAB TRAYS	6
EXTRA CAB TRAYS	8
SINGLE CAB TRAYS	10
LANDCRUISER 79 WITH 300MM EXTENSION TRAYS	12
LANDCRUISER 200 AND 300 EXTENSIONS TRAYS	14
FULL-SIZE VEHICLE TRAYS	16
SPECIFICATIONS CHART	18
POPULAR ACCESSORIES	20



## EXPERIENCE THE NORWELD DIFFERENCE

Since 1971, Norweld has welded aluminium in Cairns, leading the way in the heavy duty ute tray game since 2001.

Our passion for 4WD touring and adventure drives our commitment to innovation, inspiring us to design reliable products that expand the capabilities of your vehicle.

With a nationwide network of Norweld owned fitting locations and millions of kilometers covered each year by our customers, you can rest assured that a tray built by us will take you to the places you want to be.

Experience the Norweld difference today.



Norweld Deluxe Plus Tray (1826mm) | Mazda BT-50 |  
Powerline Track, Glasshouse Mountains QLD



# DELUXE AND DELUXE PLUS TRAY INCLUDED FEATURES

With precision CNC-cut and a fully welded aluminium construction, our ute trays deliver a strong lightweight build backed with a lifetime warranty on all workmanship.

Each build features a heavy-duty, high tensile, 4mm thick one-piece aluminium plate floor, a rear trundle drawer integrated into the tray, under tray tool boxes and poly water tank, all beautifully designed. Our skilled technicians will manage the installation, including the relocation of factory cameras, sensors and radars, ensuring a flawless fit and smooth integration.

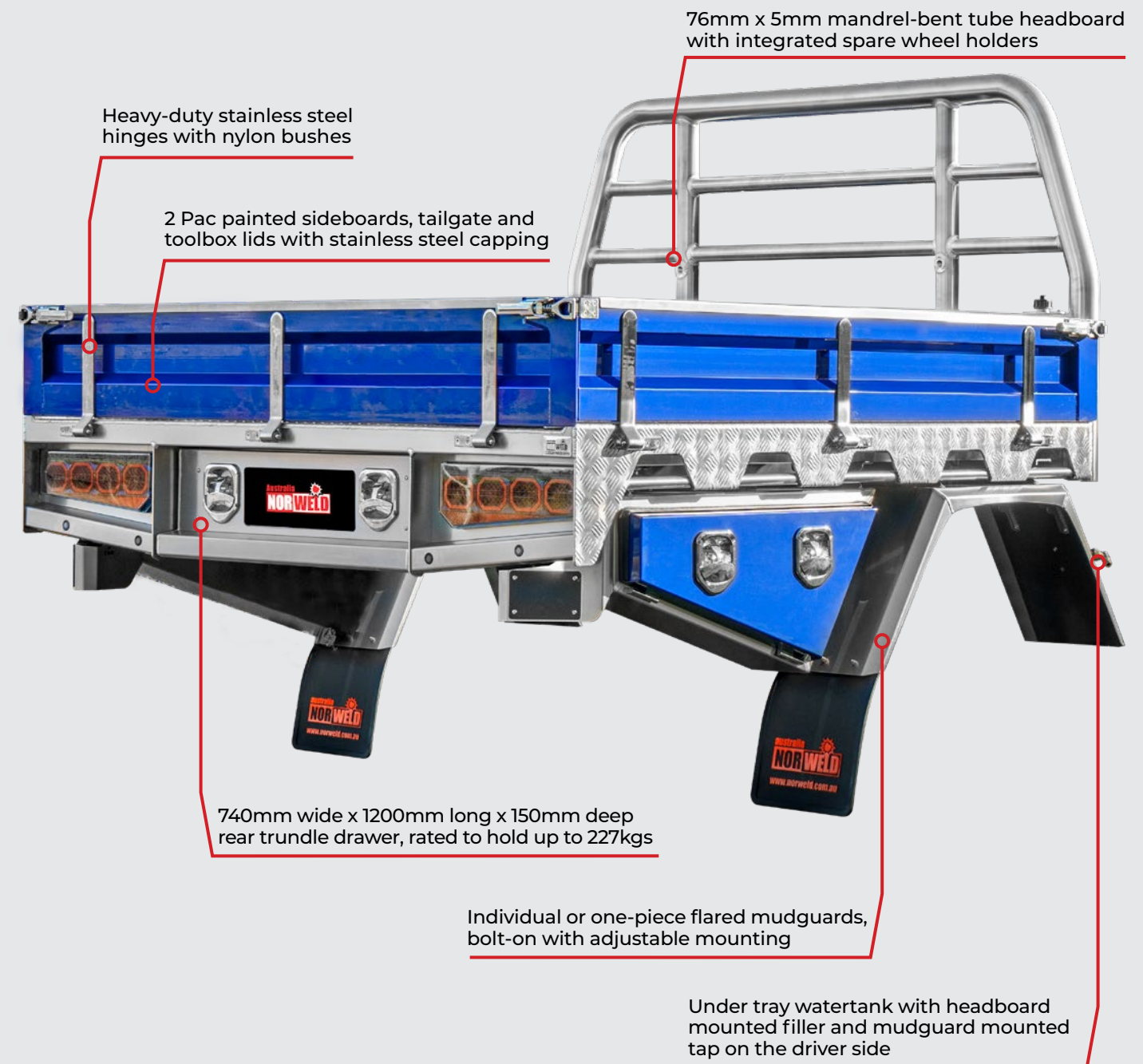
If you are moving from a tub to a Norweld tray, our design features a tray deck that allows you to maximise space, ensuring ample room for your gear in one easy-to-reach location.

All Norweld Deluxe and Deluxe Plus Trays feature:

- 76mm x 38mm x 6mm high tensile aluminium chassis runner
- Independently engineered, 10mm thick alloy welded mounts
- Heavy duty rubber ute mat
- Portal axle mudguards available
- Water and dust resistant toolboxes and rear trundle drawer
- Transferable between most vehicles makes and models, allowing you to keep your tray when upgrading to your next vehicle
- Lifetime warranty on all workmanship
- Relocation of radars, sensors and cameras to retain factory functionality

Norweld offers tray and canopy packages to suit:

- Toyota LandCruiser 79
- Toyota HiLux
- Ford Ranger
- Mazda BT-50
- Isuzu D-Max
- Volkswagen Amarok
- Holden Colorado
- Nissan Navara
- Full-size vehicles
- Chassis Extensions





# DELUXE AND DELUXE PLUS TRAY DUAL CAB



Tap for watertank with pad lock function



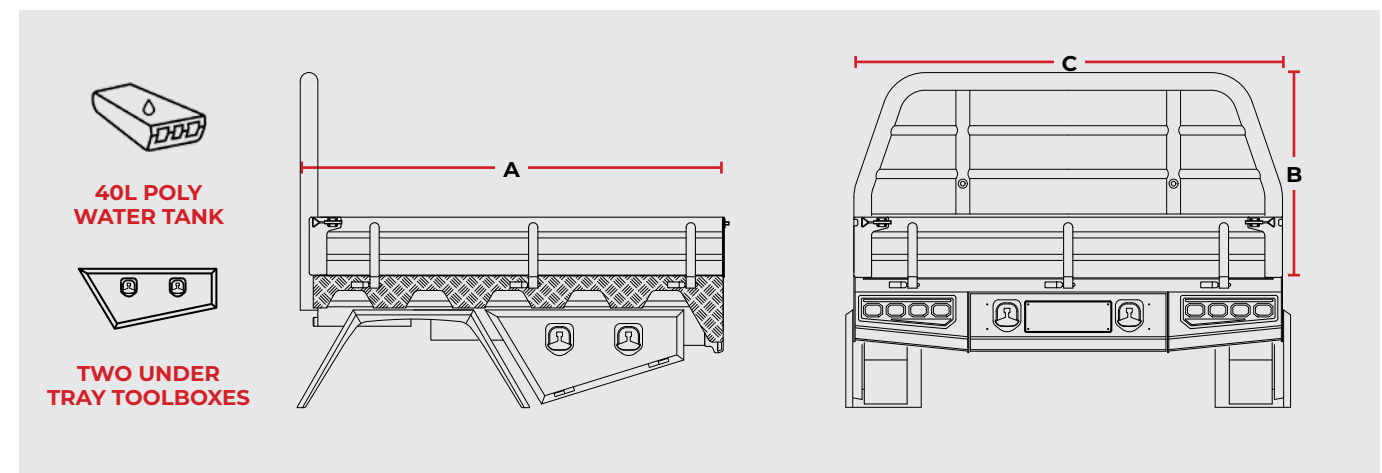
Norweld Deluxe Plus Tray (1826mm Length) | Toyota LandCruiser 79 | Ross n Locke, Cairns QLD



SEE IT IN ACTION



SCAN TO WATCH THE DUAL CAB DELUXE PLUS TRAY WALKTHROUGH VIDEO  
[YOUTUBE.COM/@NORWELDAUSTRALIA](https://www.youtube.com/@NORWELDAUSTRALIA)



VEHICLE MODEL	A (MM)	B (MM)	C (MM)	WEIGHT (KG)	
				DELUXE TRAY	DELUXE PLUS TRAY
DUAL CAB MID-SIZE UTE	1826	890	1850	233	234
DUAL CAB LANDCRUISER 79	1826	1015	1850	233	234

\*Tray weights are an approximate, at the time of publication. We recommend having your vehicle weighed after tray fitment.



# DELUXE AND DELUXE PLUS TRAY EXTRA CAB

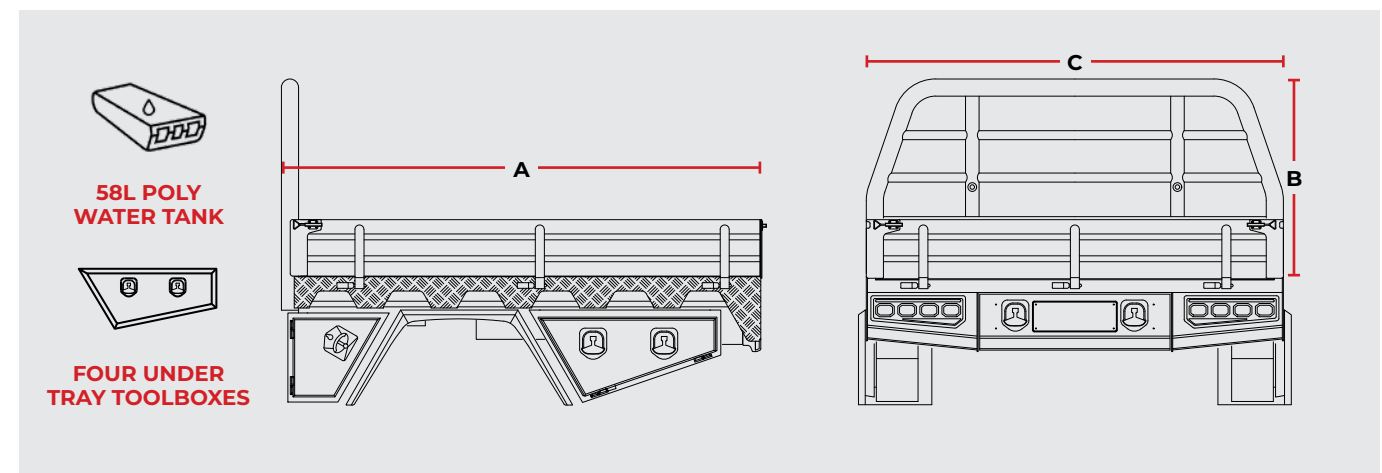
Norweld Deluxe Plus Tray (2126mm Length) | Mazda BT-50 | CREB Track, Cairns QLD



SEE IT IN ACTION



SCAN TO WATCH THE DELUXE PLUS TRAY WALKTHROUGH VIDEO  
[YOUTUBE.COM/@NORWELDAUSTRALIA](https://www.youtube.com/@norweldaustralia)



VEHICLE MODEL	A (MM)	B (MM)	C (MM)	WEIGHT (KG)	
				DELUXE TRAY	DELUXE PLUS TRAY
EXTRA CAB MID-SIZE UTE	2126	890	1850	260	261

\*Tray weights are an approximate, at the time of publication. We recommend having your vehicle weighed after tray fitment.



# DELUXE AND DELUXE PLUS TRAY SINGLE CAB

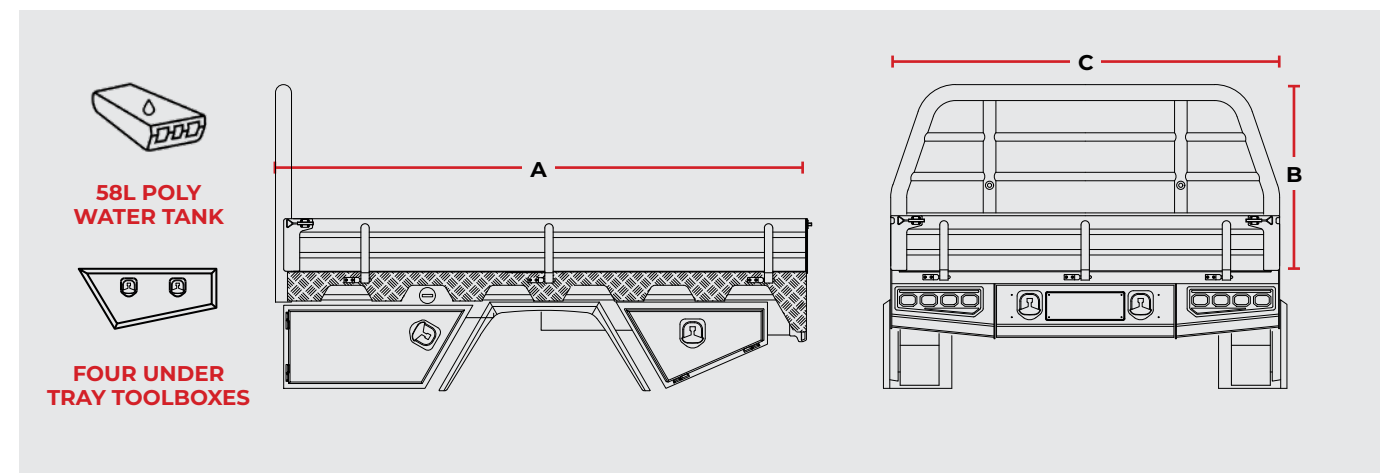
Norweld Deluxe Plus Tray (2526mm Length) | Toyota LandCruiser 79



SEE IT IN ACTION



SCAN TO WATCH THE SINGLE CAB DELUXE PLUS TRAY WALKTHROUGH VIDEO  
[YOUTUBE.COM/@NORWELDAUSTRALIA](https://www.youtube.com/@norweldaustralia)



VEHICLE MODEL	A (MM)	B (MM)	C (MM)	WEIGHT (KG)	
				DELUXE TRAY	DELUXE PLUS TRAY
SINGLE CAB MID-SIZE UTE	2526	890	1850	300	303
SINGLE CAB LANDCRUISER 79	2526	1015	1850	300	303

\*Tray weights are an approximate, at the time of publication. We recommend having your vehicle weighed after tray fitment.



# DELUXE AND DELUXE PLUS TRAY LANDCRUISER 79 WITH 300MM EXTENSION

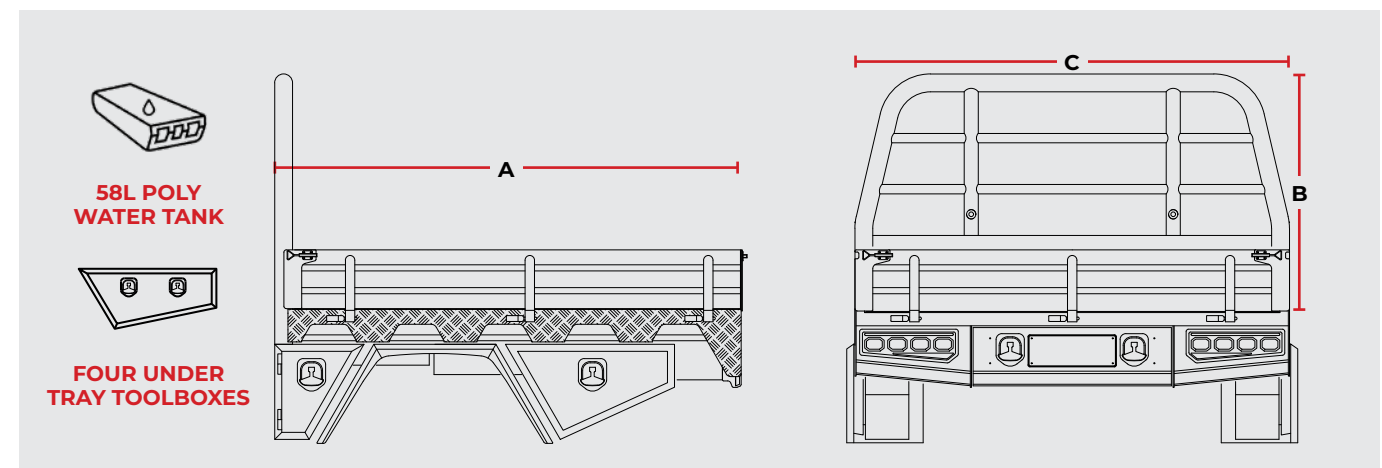
Norweld Deluxe Plus Tray (1986mm Length) | Toyota LandCruiser 79 with 300mm Extension



SEE IT IN ACTION



SCAN TO WATCH THE DELUXE PLUS TRAY WALKTHROUGH VIDEO  
[YOUTUBE.COM/@NORWELDAUSTRALIA](https://www.youtube.com/@norweldaustralia)



VEHICLE MODEL	A (MM)	B (MM)	C (MM)	WEIGHT (KG)	
				DELUXE TRAY	DELUXE PLUS TRAY
LANDCRUISER 79 WITH 300MM EXTENSION	1986	1015	1850	258	259

\*Tray weights are an approximate, at the time of publication. We recommend having your vehicle weighed after tray fitment.



# DELUXE AND DELUXE PLUS TRAY LANDCRUISER 200 AND 300 EXTENSIONS



Norweld Deluxe Plus Tray (1986mm Length) | Toyota LandCruiser 300 with 800mm extension



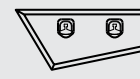
SEE IT IN ACTION



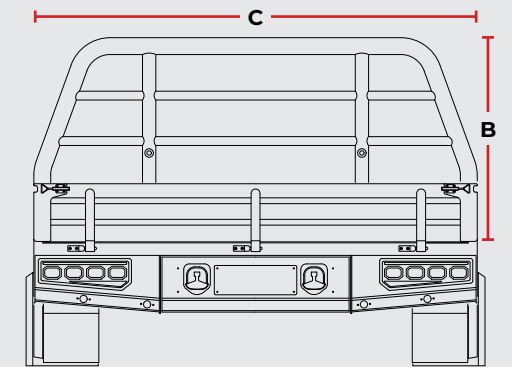
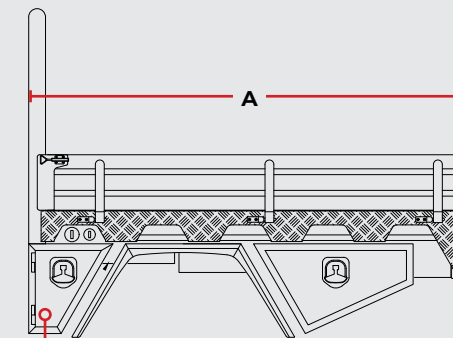
SCAN TO WATCH THE DELUXE PLUS TRAY WALKTHROUGH VIDEO  
[YOUTUBE.COM/@NORWELDAUSTRALIA](https://www.youtube.com/@norweldaustralia)



58L POLY WATER TANK



TWO OR FOUR UNDER TRAY TOOLBOXES



Front toolbox is not applicable for 200 Series with 650mm or 300 Series with 700mm wheelbase extension. 300 Series with 700mm wheelbase extension features an infill panel in its place.

VEHICLE MODEL	A (MM)	B (MM)	C (MM)	WEIGHT (KG)	
				DELUXE TRAY	DELUXE PLUS TRAY
LANDCRUISER 200 (650 / 750MM EXTENSIONS)	1986	925	2000	265	266
LANDCRUISER 300 (700 / 800MM EXTENSIONS)	1986	925	2000	265	266

\*Tray weights are an approximate, at the time of publication. We recommend having your vehicle weighed after tray fitment.



# DELUXE AND DELUXE PLUS TRAY FULL-SIZE VEHICLES

Norweld Deluxe Plus Tray (2286mm Length) | RAM 2500



SEE IT IN ACTION



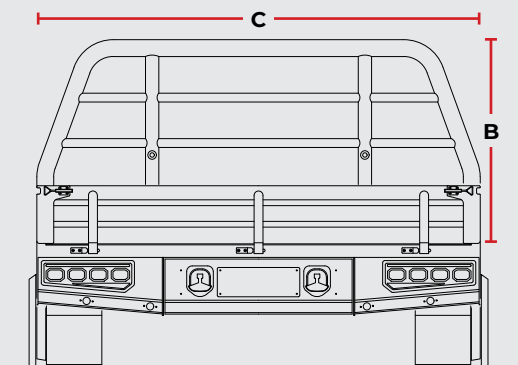
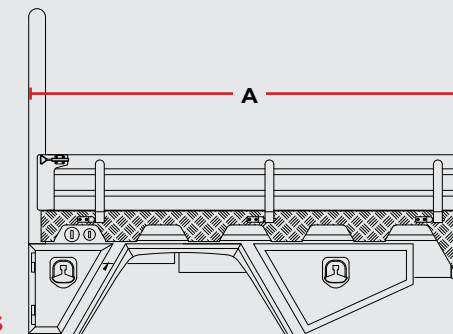
SCAN TO WATCH THE DELUXE PLUS TRAY WALKTHROUGH VIDEO  
[YOUTUBE.COM/@NORWELDAUSTRALIA](https://www.youtube.com/@NORWELDAUSTRALIA)



58L POLY WATER TANK



FOUR UNDER TRAY TOOLBOXES



VEHICLE MODEL	A (MM)	B (MM)	C (MM)	WEIGHT (KG)	
				DELUXE TRAY	DELUXE PLUS TRAY
FULL-SIZE VEHICLES (SHORT WHEELBASE)	1986	925	2000	265	266
FULL-SIZE VEHICLES (LONG WHEELBASE)	2286	925	2000	288	289

\*Tray weights are an approximate, at the time of publication. We recommend having your vehicle weighed after tray fitment.







# DELUXE AND DELUXE PLUS TRAY POPULAR ACCESSORIES

Norweld Deluxe Plus Tray (1826mm Length) | Ford Ranger | Smithburne River, Gulf of Carpentaria @true.north.adventures

## BACK LADDER RACK

76mm Mandrel-bent tube rear ladder rack follows the same contour as the headboard.

Supports longer lengths of materials and equipment.

Bolt on for removal with ease.



## CLIP ON TABLE

Norweld's clip on table secures into the Deluxe or Deluxe Plus Tray rope rail and unistrut extrusion giving you a great prep area, workbench for your laptop or even a filleting station for those avid fishos amongst us.



## CLIP ON KITCHEN

Based on the clip on table, the Norweld clip on kitchen features more bench space and is fitted with a collapsible sink allowing you to have a quick clean up whilst camping out of your car.



## DROP-IN TABLE

The drop-in table for your rear trundle drawer is the perfect solution for roadside lunch stops or camping weekends away.

Designed to stay in position when not being used the 2.5mm sheet metal design takes up next to no space and adds minimal weight.



## CLIP ON STEP

Designed for easy access to your tray or canopy, the clip on step secures into the rope rail of your Deluxe or Deluxe Plus Tray.

Made from 10mm aluminium and features a 5mm checker plate for added grip.



## FLUSH TIE DOWNS

Flush with the floor of the tray, these stainless steel rings secure objects within the tray with ropes and straps.

Available in as set of four in 1826mm length trays and a set of six in all other tray lengths.



## FLIP-UP BACK LADDER RACK ENDS

To aid in securing materials and equipment to both the back rack and headboard. Comes as set of four.

Made from 4mm aluminium with stainless steel fixings.



Norweld Deluxe Plus Tray (1826mm Length) | Ford Ranger

Australia  
**NORWELD**  
UTE TRAYS AND CANOPIES



**Cairns**

139-143 Hartley Street  
Bungalow QLD 4870

**Townsville**

6/547 Woolcock Street  
Mount Louisa QLD 4814

**Brisbane**

56 Griffin Crescent  
Brendale QLD 4500

**Newcastle**

4/5 Coal Wash Drive  
Mayfield West NSW 2304

**Sydney**

2/1003-1009 Canley Vale Road  
Wetherill Park NSW 2164

**Melbourne**

2/37 Garden Street  
Kilsyth Melbourne 3137

**Adelaide**

24 Fifth Street  
Bowden SA 5007

**Perth**

22 Opportunity Street  
Wangara WA 6065

For more information  
visit [norweld.com.au](http://norweld.com.au)  
or call 1300 302 899.



GET A QUOTE



NORWELD.COM.AU | 1300 302 899

